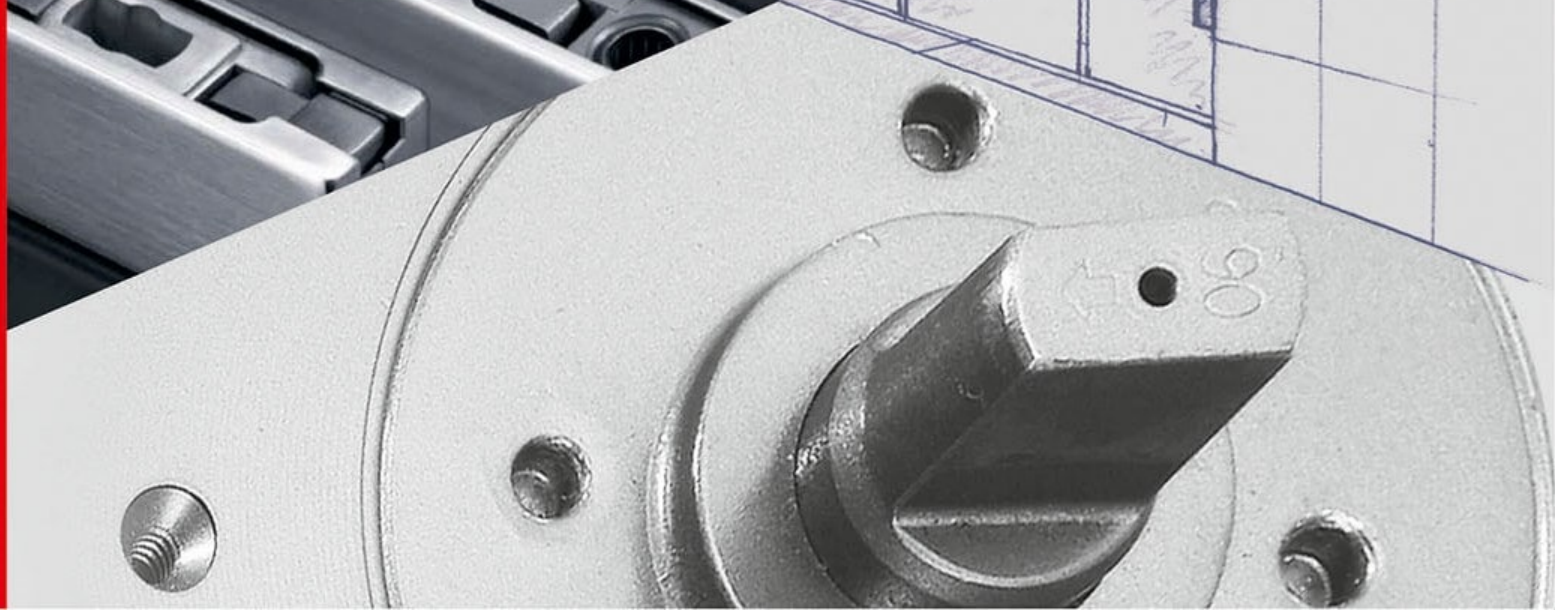




*Living touch  
for glass doors*

## GLASS FITTINGS



# FLOOR SPRING & PATCH FITTINGS



SS 65



SS 95



SDC 62



SF 10



SF 20



SF 30B



SF 40



SF 55



SF 91



SF 52



SF 60



SF 60B

# SHOWER HINGES & GLASS CONNECTORS



SH 90FC



SH 90B



SH 90BL



SH 180B



SH 90F



SH 180F



GB 02D



GB 03D



GB 04D



GB 05D



GB 07D



GL 05LD



# SPIDER FITTINGS & HANDRAIL CLAMPS



SF 58



SF 506



SF 303



SF 71



SF 200



SF 200FIN



GB 01J



GB 01K



SUS 304



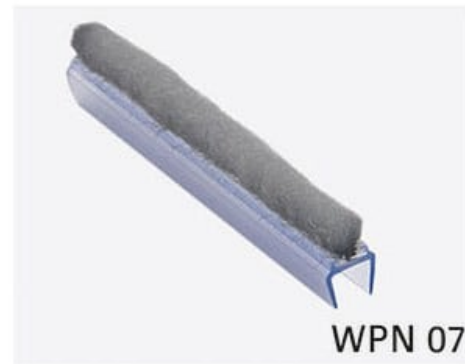
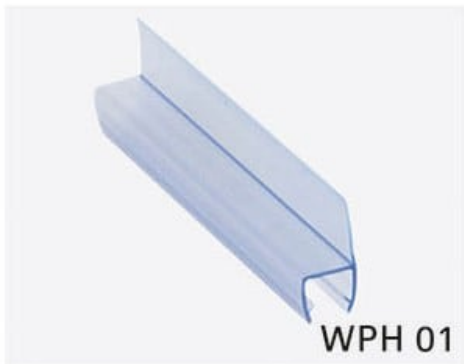
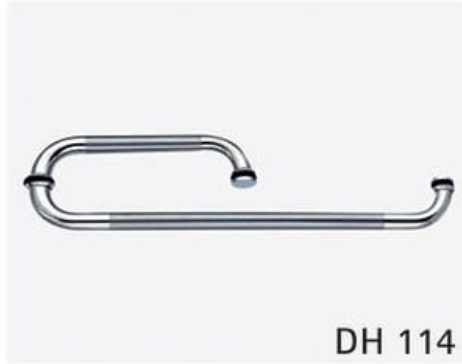
DS 06



SSAC 21



SS 753





Tel: +974 4469 9756 Fax: +974 4412 1256  
Email: [info@lemaxgcc.com](mailto:info@lemaxgcc.com)